

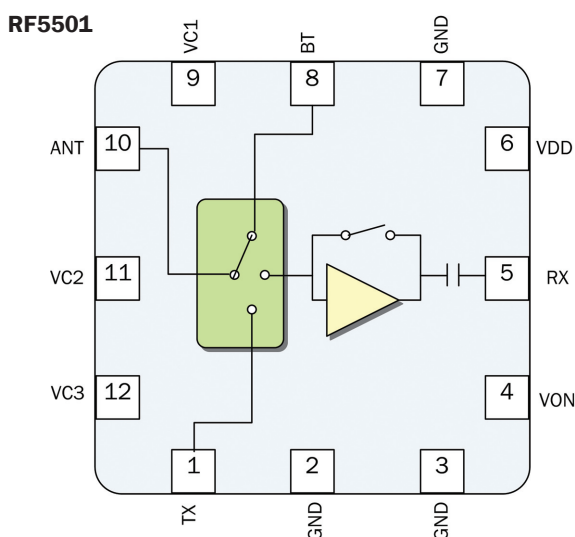
Switch and Switch + LNA Front End Solutions



Designed specifically for high-performance WiFi applications in the 2.4 GHz to 2.5 GHz ISM band, the RF5501 MMIC and RF5511 flip-chip MMIC address the need for size reduction for a typical IEEE 802.11b/g/n front end design. Featuring an integrated SP3T switch and a low noise amplifier, these solutions also reduce the number of components required outside of the core chipset. The RF5500 and RF5510, single-pole triple-throw switches, are capable of switching between WiFi receive and transmit operations, and *Bluetooth*[®] receive and transmit operations. These switch front end solutions meet or exceed the RF front end needs of IEEE 802.11b/g/n WiFi RF systems.

SPECIFICATIONS

Part Number	Freq Range (MHz)	Switch	LNA		Switch		Switch			Vcc (V)	Icc (mA)	RF ports		Package (dim. in mm)
			Gain (dB)	NF (dB)	Insertion Loss (dB)	P1dB (dBm)	OP1dB (dBm)	OIP3 (dBm)	IIP3 (dBm)			DC Blocked		
RF5500	2400 to 2500	SP3T	—	—	0.6	29	—	—	—	3.0 to 4.5	—	Yes	QFN 2 x 2 x 0.5	
RF5501	2400 to 2500	SP3T	11.5	1.9	0.6	29	5	19	7	3.0 to 4.5	9	No	QFN 2 x 2 x 0.5	
RF5510	2400 to 2500	SP3T	—	—	0.6	29	—	—	—	3.0 to 4.5	—	Yes	Flip Chip 0.8 x 0.89	
RF5511	2400 to 2500	SP3T	11.5	1.8	0.6	29	5	19	7	3.0 to 4.5	9	No	Flip Chip 1 x 1 x 0.5	
RF5521	2400 to 2500	SP3T	11.5	1.9	0.6	29	5	19	7	3.0 to 4.5	9	No	QFN 1.75 x 1.75 x 0.5	
RF5611	2400 to 2500	SP3T	11.0	2.2	0.8	29	5	19	7	3.0 to 4.5	9	Yes	QFN 2 x 2 x 0.5	



FEATURES

- Single supply voltage 3.0 V to 4.5 V
- Integrated SP3T switch and low noise amplifier
- Typical gain is 12 dB and 1.7 dB noise figure in receive mode pin-to-pin
- SP3T switch control voltage 2.1 to 5 V (3.0 V typical)
- Ideal for 2.5 GHz ISM band, portable battery-powered, and WiFi/*Bluetooth*[®] combination devices

For sales or technical support, contact your authorized local sales representative (see www.rfmd.com/globalsales).

Register to receive RFMD's latest product releases with our new Email Component Alerts at www.rfmd.com/emailalert.



This product complies with RFMD's green packaging standards.

RFMD[®] is a trademark of RFMD, LLC. All other trade names, trademarks and registered trademarks are the property of their respective owners. ©2009 RFMD. SL.Switch.0609.50



rfmd.com

www.DataSheet4U.com